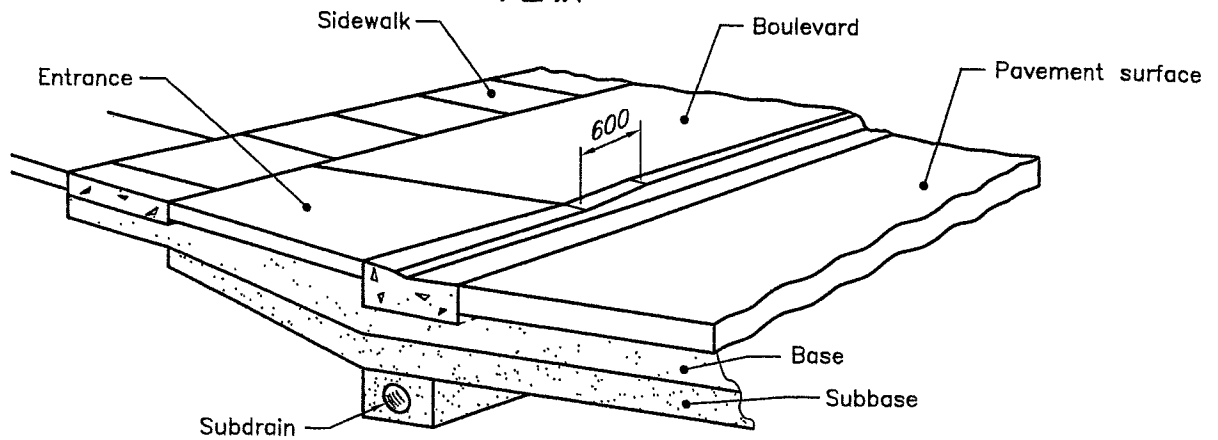
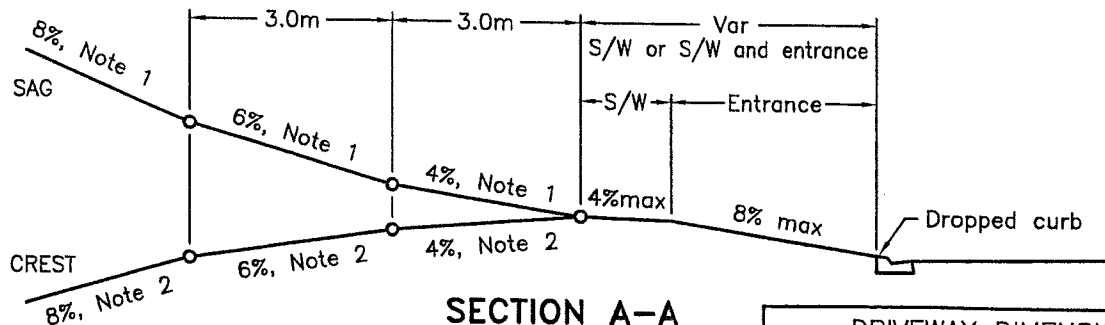


PLAN



ISOMETRIC VIEW



NOTES:

- 1 Maximum upgrade shall be 10%.
- 2 Maximum downgrade shall be 8%.

A All dimensions are in millimetres unless otherwise shown.

DRIVEWAY DIMENSIONS				
LAND USE	WIDTH m			
	Single		Double	
	min	max	min	max
Residential	3.0	4.3	6.0	7.3

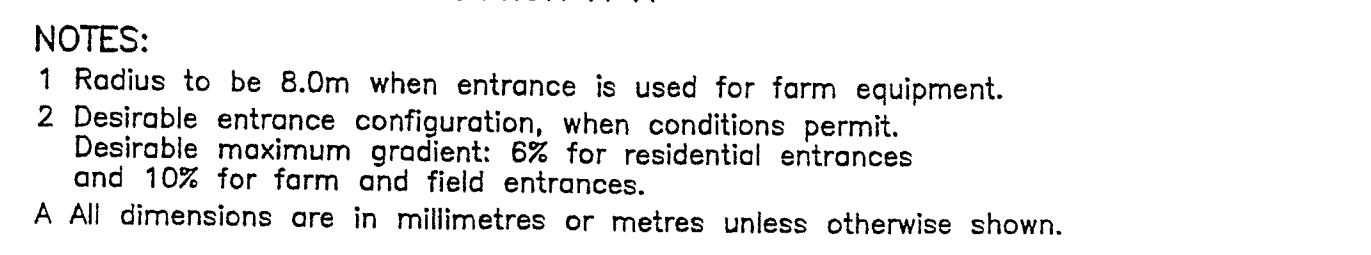
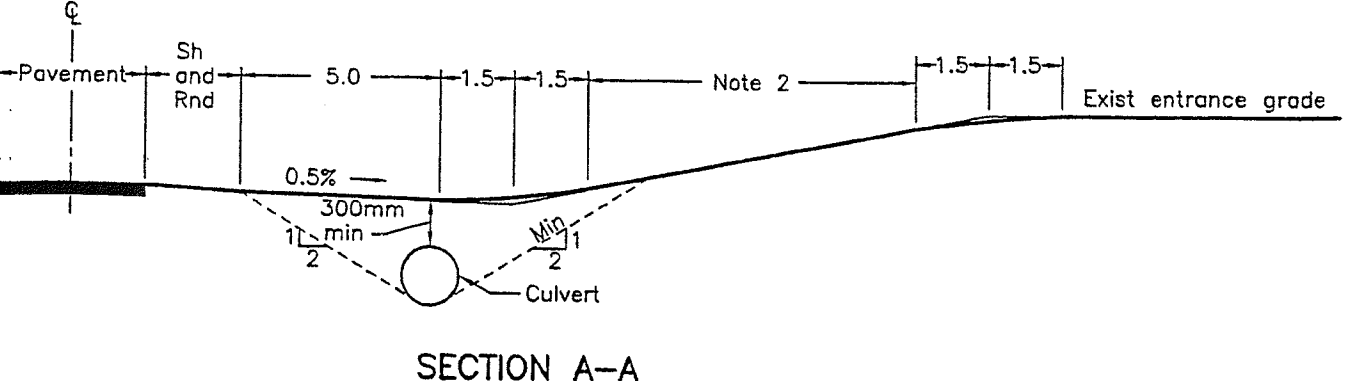
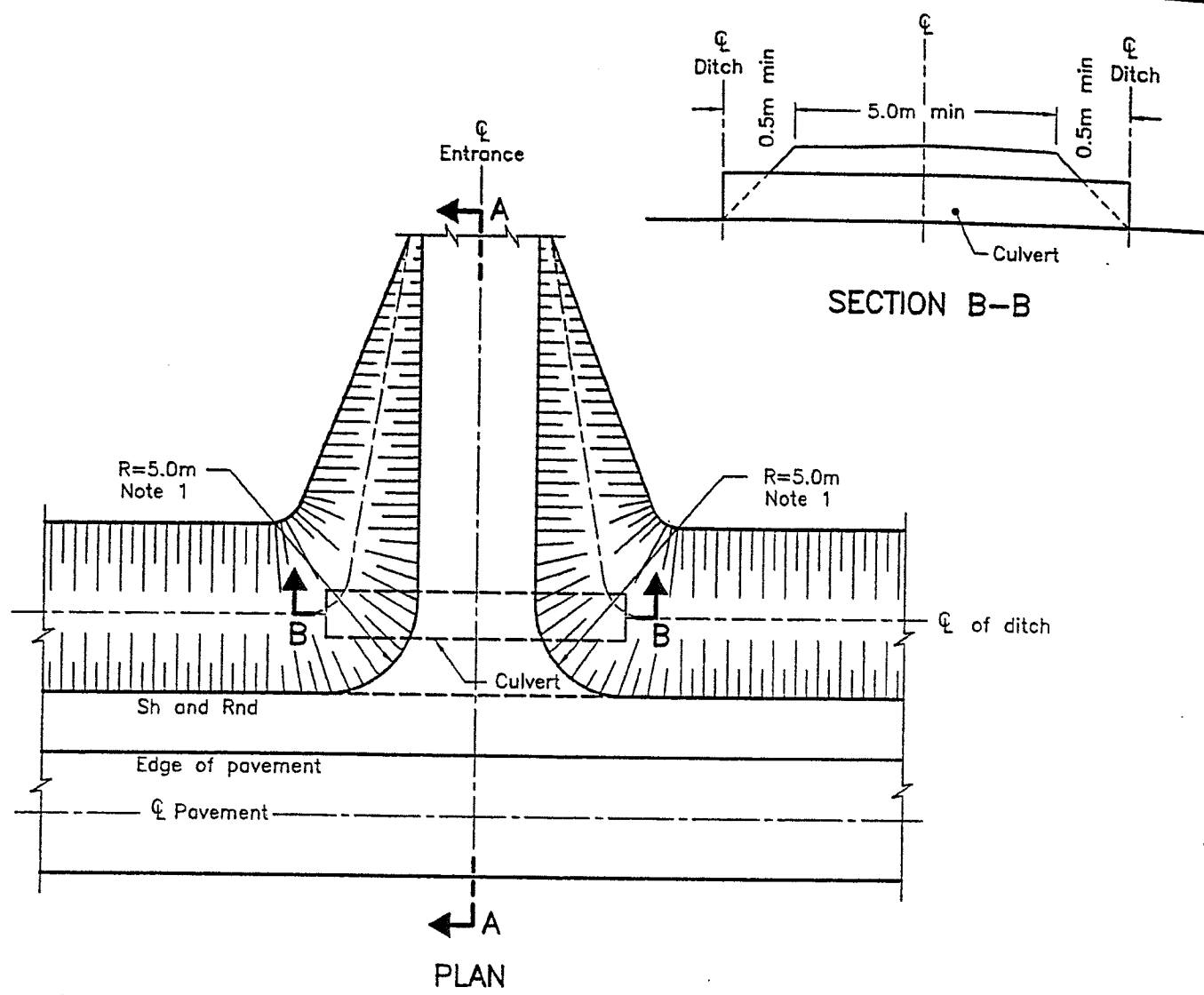
ONTARIO PROVINCIAL STANDARD DRAWING

Nov 2009 Rev 1

URBAN RESIDENTIAL
ENTRANCE




OPSD 351.010



NOTES:

- 1 Radius to be 8.0m when entrance is used for farm equipment.
- 2 Desirable entrance configuration, when conditions permit.
Desirable maximum gradient: 6% for residential entrances and 10% for farm and field entrances.

A All dimensions are in millimetres or metres unless otherwise shown.

ONTARIO PROVINCIAL STANDARD DRAWING	1998 03 01 Rev	
RURAL ENTRANCES TO ROADS IN EARTH CUT WITH CULVERT INSTALLATION	OPSD - 301.020	