

This document can be made available in other accessible formats as soon as practicable and upon request

**STAFF REPORT: RECREATION DEPARTMENT**



**REPORT TO:** Infrastructure & Recreation Committee  
**MEETING DATE:** October 23, 2012  
**REPORT NO.:** DOR 12 58  
**SUBJECT:** Trillium Foundation Grant Application  
**PREPARED BY:** Shawn Everitt, Director of Recreation

**A. Recommendations**

THAT Council receive Staff Report DOR 12 58 entitled “Trillium Foundation Grant Application”; and,

THAT Council support the request to partner with the Beaver Valley Community School for the supply and installation of outdoor physical fitness equipment at the Beaver Valley Community School; and,

THAT should the grant application succeed, authorize the CAO and Clerk to execute an Agreement with the Trillium Foundation.

**B. Background**

A request has been made to the Town to partner with the Beaver Valley Community School Community Advisory Committee to apply for the November 1, 2012 Trillium Grant submission intake. The request is for the Town to be the lead applicant in Grant submission and identify partnership with the Beaver Valley Community School as the secondary applicant. Neither the Community Advisory Committee nor the Board are eligible to submit a Grant Application due to the nature of the submission criteria.

The project that the Beaver Valley Community School Community Advisory Committee has identified is the installation of outdoor gym equipment. This equipment is not a typical playground apparatus. The group has identified 13 pieces of equipment that would be installed on the Beaver Valley Community School Board of Education property. Attached to this report are samples of such equipment. The School Board property is an excellent location for this type of equipment. The equipment would provide an excellent opportunity to enhance physical activity for students as well many residents could utilize the facilities running track, this equipment compliments the property well.

The Towns involvement in this project is to be the Lead applicant and provide “in-kind” the management of the Grant application process. The Community Advisory Committee would provide an upset limit of \$10,000 to the Grant application and inspections and maintenance of the equipment would be the Board of Education’s responsibility.

**C. The Blue Mountains’ Strategic Plan**

- ▶ Addressing the Town's municipal infrastructure needs
- ▶ Supporting the development of social and recreational programs to meet the broad range of needs in the community

#### **D. Environmental Impacts**

Enhancing Active Lifestyle opportunities

#### **E. Financial Impact**

Staff time would be allocated to submit the Grant application as well as provide the required reporting.

#### **F. In Consultation With**

Ruth Prince, Manager of Revenue  
Troy Speck, CAO

#### **G. Attached**

1. Green Gym Information Sheets
2. Blue Water District Board of Education support letter

Respectfully submitted,

---

Shawn Everitt

For more information, please contact:

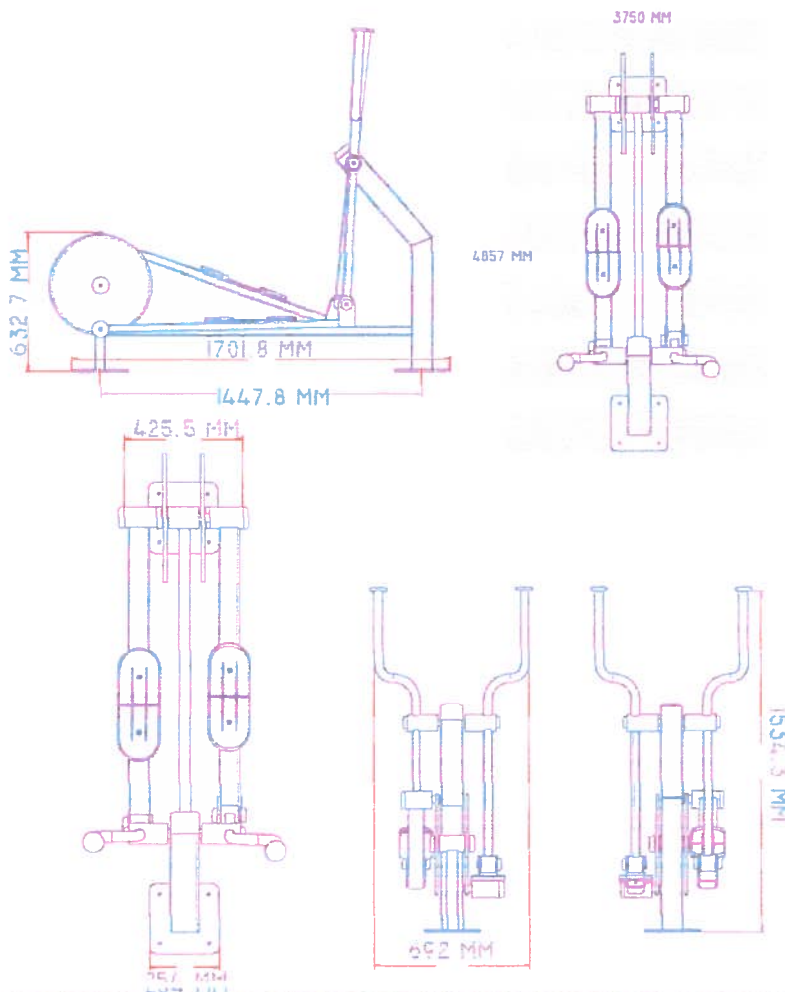
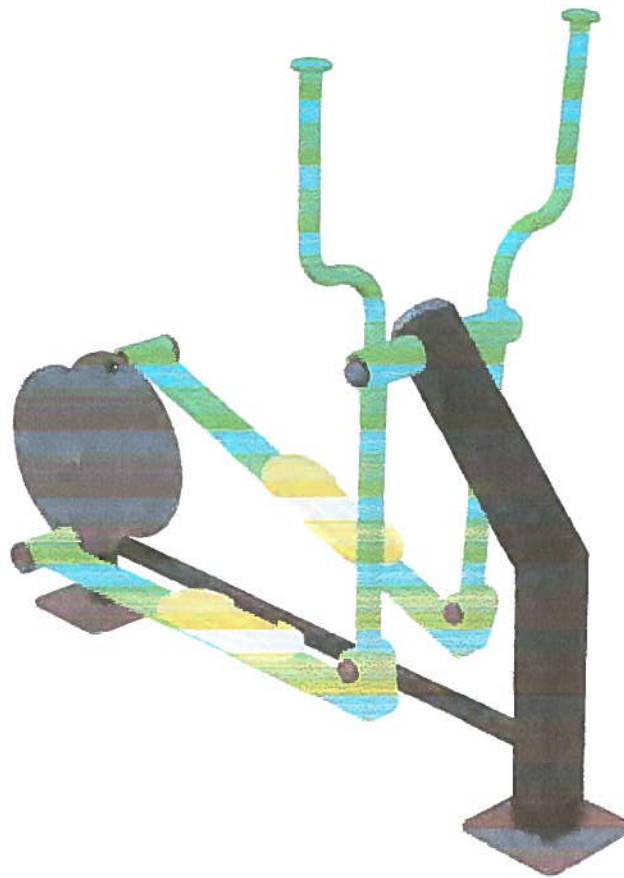
Shawn Everitt  
[severitt@thebluemountains.ca](mailto:severitt@thebluemountains.ca)  
519-599-3131 ext 281

# Elliptical

**Product #:** GGU-009  
**Fitness Stations:** 1  
**Fitness Categories:**  
 - Cardio



[www.greengym.ca](http://www.greengym.ca)  
 sales@greengym.ca  
 phone: (902) 469 1511  
 fax: (902) 469 0373  
 tollfree: (877) 438 3547



### Prestigious Features include:

- 100% designed, engineered and manufactured in Canada
- Largest heavy duty equipment in the worldwide market place, built to withstand harsh North American winter conditions and pro-long periods of high exposure to salt air, sun and UV
- 10 years all inclusive warranty on main posts, bearings and metal parts
- 3 years warranty on all plastic parts
- All welding to Canadian Welding Bureau CSA standard W47.1

### Materials Specifications:

- All main shafts are stainless steel shafts using S303 complete with hardened steel roller bearings.
- Bearings are encased in rolling trolley. Trolley sliding on a 303 2x4 stainless steel tube. Trolley wheels are made of HD nylon for a smooth ride.
- All the units are constructed from square and rectangular hollow structural steel used is 3.175mm (1/8 inch) thick - the thickness and strength of our steel is the industry leader in product specifications.
- All main steel posts are constructed from 4x4 structural tubing
- All rotating joints protected with end plate covers.
- After fabrication, all steel parts are sand blasted.
- All metals are washed after sand blasting to remove excess dirt and oil.
- Following the wash, metals are covered with a special Zinc prime for rust protection then baked.
- Coating in Sherman Williams powder coating occurs next then baked once to complete the painting process.
- All pedals, seals and caps are made of high-density polyethylene (HDPE) 1/2 and 3/4 inch thick Playboard (CPSIA compliant) and are UV stabilized.

# CoreFit 5

Product #: GGU-027

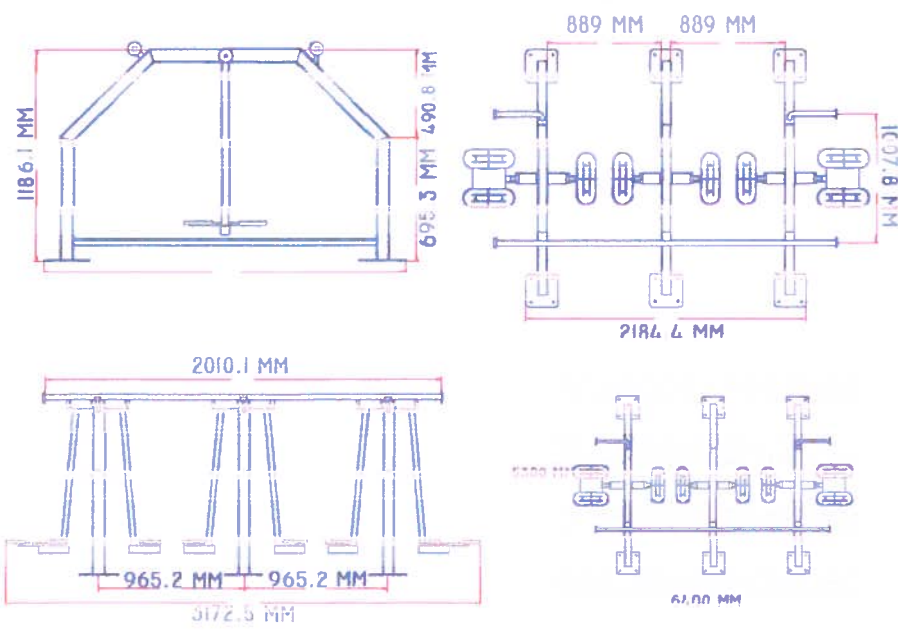
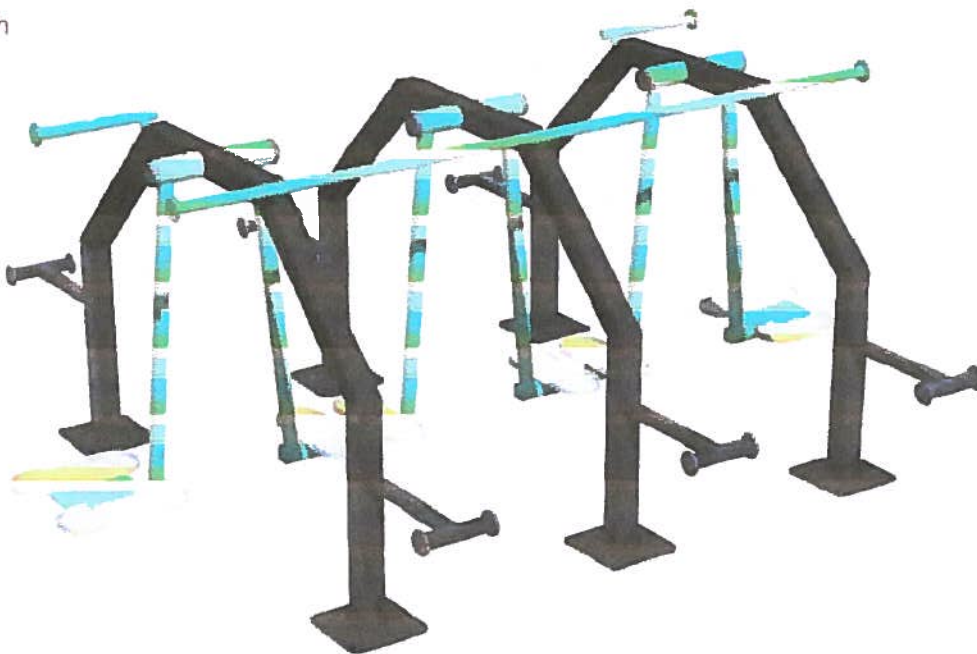
Fitness Stations: 4

Fitness Categories:

- Cardio
- Core Strength



1500 Highway 20, Unit 20  
 sales@greengym.ca  
 phone: (902) 469 1511  
 fax: (902) 469 0370  
 tollfree: (877) 438 3547



## Prestigious Features include:

- 100% Designed, Engineered and Manufactured in Canada.
- Largest heavy duty structure in the worldwide market place built to withstand harsh North American winter conditions and pro-long periods of high exposure to salt air, sun and UV.
- 15 years warranty on all steel posts
- 6 years warranty on all moving parts including bearings.
- 3 years warranty on all plastic parts
- Extra protective bars provide safety zones to protect users and by-standers from the swinging parts
- Unique stopping mechanism hidden inside the bearing housing limits range of motion of all moving parts with a swing motion to a maximum of 45 degrees helping to prevent muscle injuries.
- Unique safety zone to protect by standards.

## Materials Specifications:

- All main shafts are Stainless steel shafts using SS303 complete with hardened steel roller sealed bearings.
- All the units are constructed from square and rectangular hollow structural steel tubing to standard ASTM – A500C
- The steel used is 3.175mm (1/8 inch) thick – the thickness and strength of our steel is the industry leader in product specifications
- All main steel posts are constructed from 4x4 structural tubing.
- Supporting posts are constructed from 2x4 and 2x2 structural tubing.
- All plate steel is grade 44W.
- All rotating joints protected with end plate covers.
- After fabrication, all steel parts are sand blasted.
- All metals are washed after sand blasting to remove excess dirt and oil.
- Following the wash, metals are covered with a special Zinc prime for rust protection then baked.
- Coating in Sherman Williams powder coating occurs next then baked once to complete the painting process.

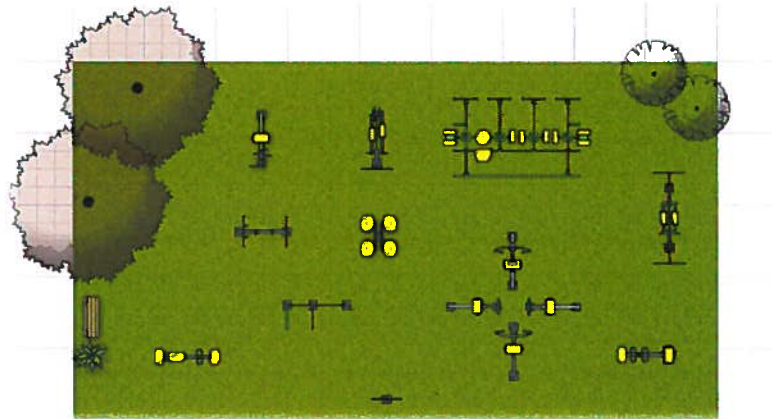


# GreenGym Outdoor Fitness Equipment

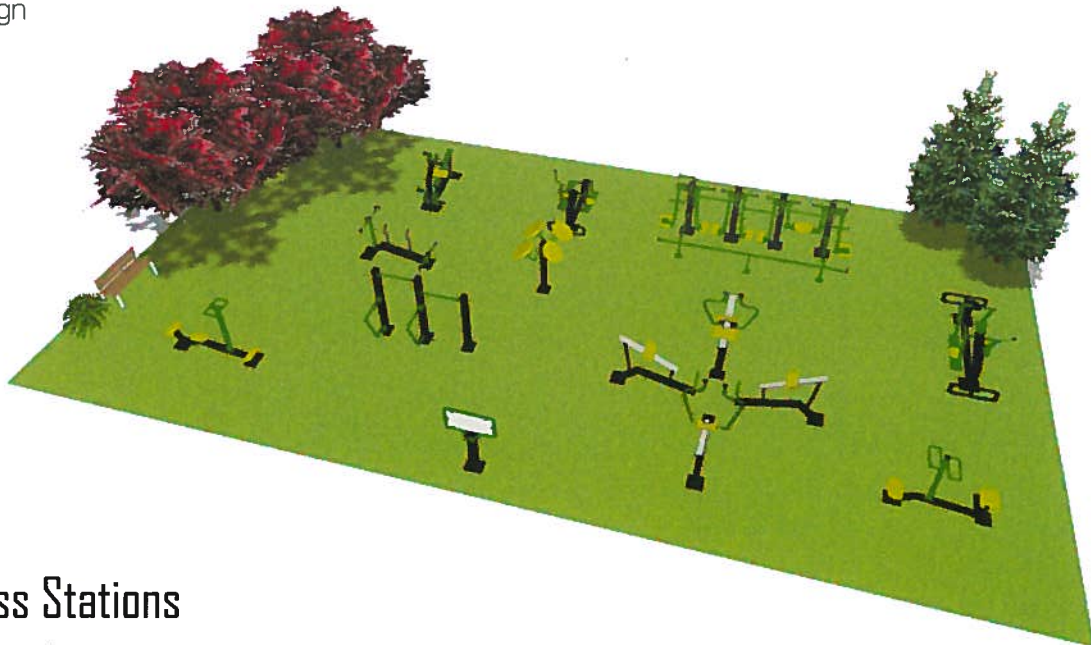
## Bfit™

### Package Includes:

- Triple Stepper
- Air Skier
- Elliptical Trainer
- CoreFIT Combination #1
- Warm Up & Stretch Station
- Leg Press x2
- Double Tai Chi
- Hand & Leg Bike
- Chest Press
- Seated Back Row
- Triple Push Ups & Dips
- Double Chin Ups
- Large Park Sign



This 13 unit package includes a free park sign and has 27 individual fitness stations, providing users an opportunity to perform over 100 different exercises. If you have a good sized budget, a large space or several different areas to populate with equipment, this is the ideal package for you.



- 13 Units
- 27 Fitness Stations
- 100+ Exercises



# Beaver Valley Community School

Andy Amos, Principal  
Cindy Bailey, Vice-Principal  
Linda Brough, Office Manager

P.O. Box 340  
Thornbury, Ontario N0H 2P0  
Telephone: (519) 599-5991  
Fax: (519) 370-2905

October 10, 2012

To Whom It May Concern:

This letter is being written in support of the Town of the Blue Mountains application for a Trillium Foundation grant. The grant, if approved, would be used to purchase and install a "green gym" on the intermediate yard at Beaver Valley Community School.

Once installed, the "green gym" apparatus would be included in the annual inspection conducted by the Bluewater District School Board of all playground equipment located on our school yard.

Please contact me if further information is required.

Sincerely,

A handwritten signature in black ink, appearing to be 'AA', with a long horizontal flourish extending to the right.

Andy Amos,  
Principal